

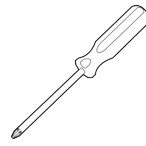
# EUDE NAUTIC – TOILET LID – ASSEMBLING INSTRUCTIONS



Stainless Steel  
Wood Screws



Drill



Screw driver



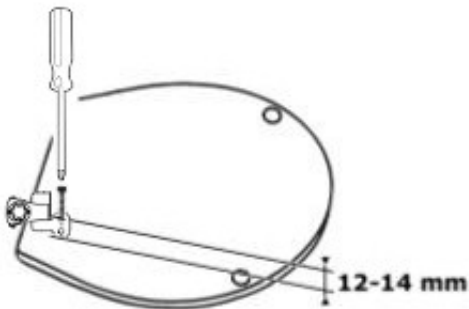
Sealant



Pre-drill the screw holes.



Fill the drilled holes with a good quality sealant.



Insert a screw to a depth between 12 and 14 mm into the lid.

## **Note**

We do not recommend varnishing the product.